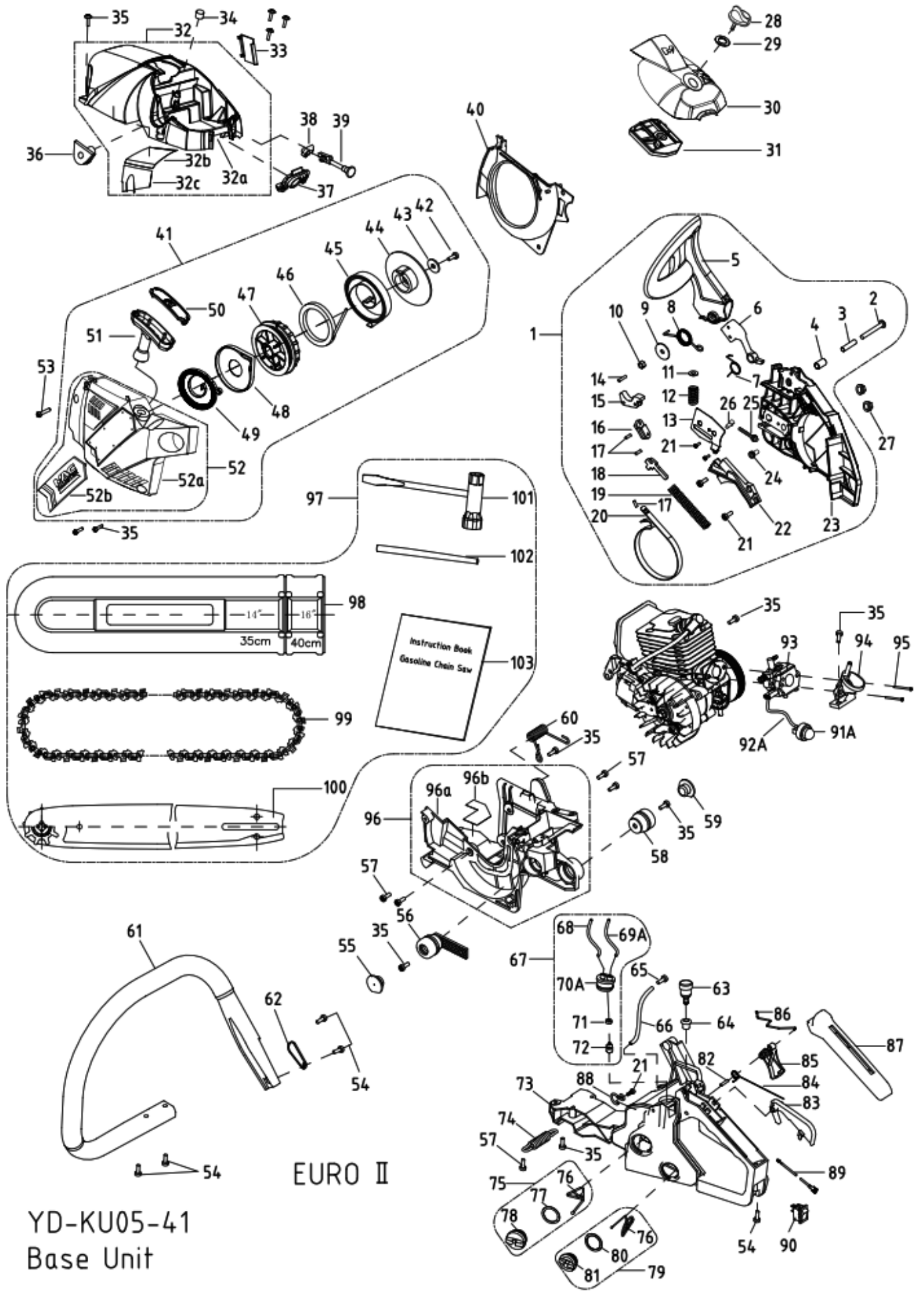


Model Number
Mac Allister MCSWP40

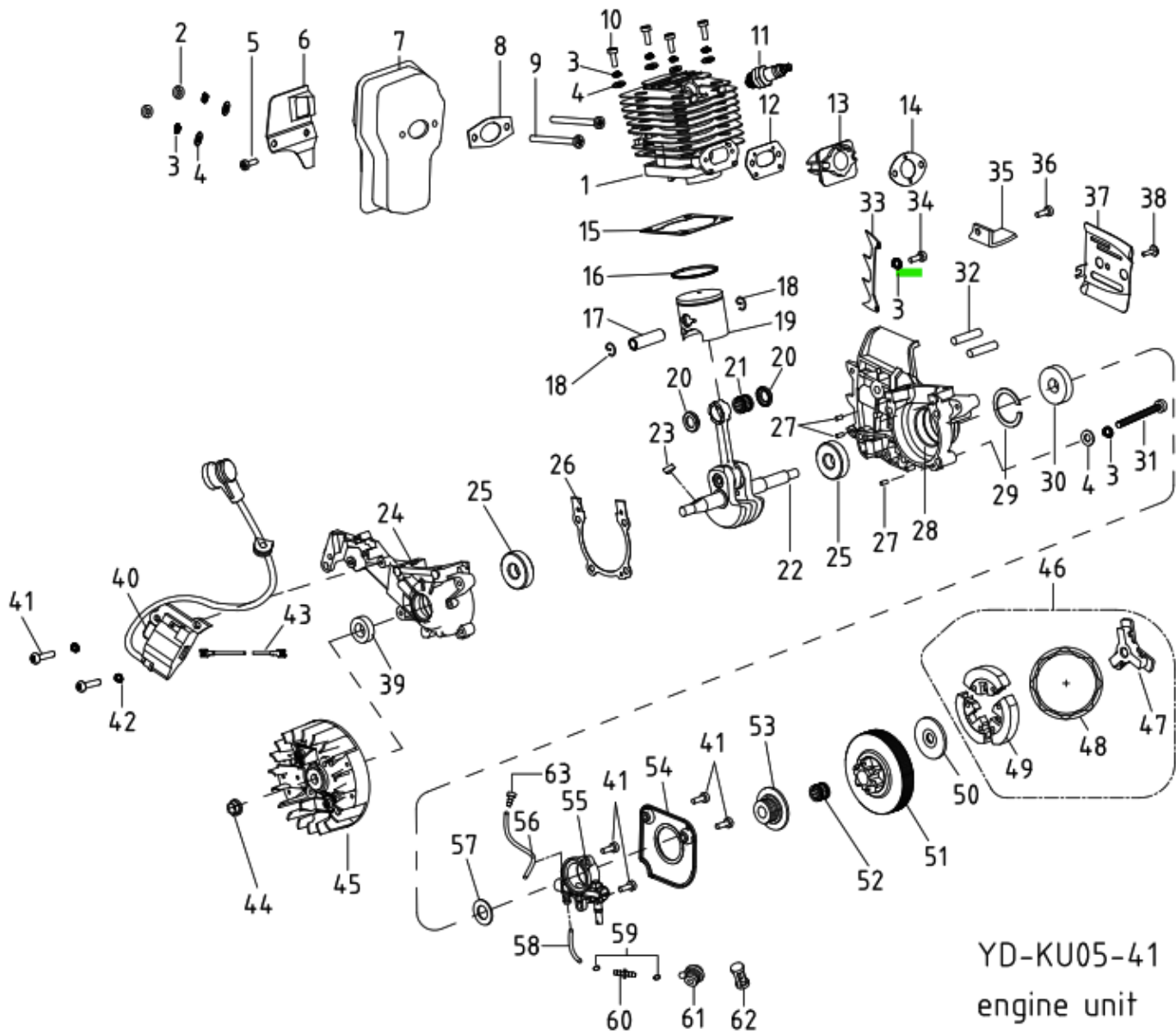


40CC Petrol Chainsaw
Parts Manual

Exploded Diagram



YD-KU05-41
Base Unit



YD-KU05-41
engine unit

Parts List

Part ID	Apelson PN	MPN	Part Description	Qty
BASE UNIT COMPONENTS				
1	GP0000002881	YD41-5.04.00-00	CLUTCH COVER ASSEMBLY	1
2	GP0000002882	YD38-3.04.00-16	SCREW M5×40	1
3	GP0000002883	YD38-3.04.00-13	PIN GLAND 5×6.3×30	1
4	GP0000002884	YD38-3.04.00-12	HEAVY BROCK GLAND 6.3×9×15	1
5	GP0000002885	YD38-7.04.00-2	FRONT DAMPER-KSO BLUE	1
6	GP0000002886	YD38-3.04.02-00	HEAVY BROCK	1
7	GP0000002887	YD38-3.04.00-7	HEAVY BROCK SPRING	1
8	GP0000002888	YD38-3.04.00-9	BRAKE TORSION ROD SPRING	1
9	GP0000002889	YD38-3.04.00-14	WASHER 5.2×23×1.2	1
10	GP0000002890	GB/T6185.1	LOCK- NUT M5	1
11	GP0000002891	YD38-3.04.00-6	SPRING BASE	1
12	GP0000002892	YD38-3.04.00-5	FRONT GUARD SPRING	1
13	GP0000002893	YD38-3.04.00-15	TENSIONER COVER PLATE	1
14	GP0000002894	GB/T119.2	PIN 3×14	1
15	GP0000002895	YD38-3.04.00-4	MAIN LEVEL-KSO GREY	1
16	GP0000002896	YD38-3.04.00-3	SECONDARY PULL-ROD-KSO GREY	1
17	GP0000002894	GB/T119.2	PIN 3×9	3
18	GP0000002898	YD38-3.04.00-11	BREAK CONTROL ROD	1
19	GP0000002899	YD38-3.04.00-8	BRAKE SPRING	1
20	GP0000002900	YD38-3.04.00-10	BREAK STRAP	1
21	GP0000002901	GB/T845	TAPPING SCREW ST4.X10	5
22	GP0000002902	YD38-3.04.00-1	BREAK SPRING COVER PLATE	1
23	GP0000002903	YD45.04.00-26	TENSION GEAR	1
24	GP0000002904	YD45.04.00-24	TIGHTENER SCREW	1
25	GP0000002905	YD45.04.00-25	TENSION BLOCK	1
26	GP0000002906	YD41-5.04.01-00	CLUTCH COVER	1
27	GP0000002907	GB/T6177.1	NUT M8	2
28	GP0000002908	TCS3800.05.01-00	AIR FILTER LOCK NUT	1
29	GP0000002909	YD38-3.05.00-6	LOCK NUT WASHER 15×26×1	1
30	GP0000002910	YD41-5.05.00-2	AIR FILTER COVER	1
31	GP0000002911	YD38-3.01.08.00-00	AIR FILTER	1
32	GP0000002912	YD41-5.05.00-00	UPPER COVER ASSEMBLY-KSO BLACK	1
32a	GP0000002913	YD41-5.05.00-1	UPPER COVER PLATE-KSO BLACK	1
32b	GP0000002914	YD41-5.05.00-8	UPPER HEAT ISOLATION PLATE	1
32c	GP0000002915	YD38-3.05.00-9A	SIDE HEAT ISOLATION PLATE	1
33	GP0000002916	YD38-3.05.00-4	SHOCK BLOCK	1
34	GP0000002901	GB/T845	TAPPING SCREW ST5×16	10
35	GP0000002918	YD38-3.05.00-3	IDLE ADJUSTING GUIDE SET	1
36	GP0000002919	YD38-3.00.00-7	DUST SHIELD	1
37	GP0000002920	YD38-3.00.00-11	THROTTLE LEVER RETAINING BRACKET	1
38	GP0000002921	YD38-3.00.00-10a	THROTTLE ROD-KSO BLUE	1
39	GP0000002922	YD41-5.12.00-1	BOSSING	1
40	GP0000002923	YD41-5.12.00-00	STARTER ASSEMBLY FOR KSO 41CC	1
41	GP0000002901	GB/T845	TAPPING SCREW ST5×16	1
42	GP0000002925	GB/T96	WASHER 5*15*1	1

43	GP0000002926	YD38-5.12.00-6	RATCHET WHEEL	1
44	GP0000002927	YD38-5.12.00-5	STRIP SPRING	1
45	GP0000002928	YD38-3.02.00-6	START STRETCHING WIRE3×920	1
46	GP0000002929	YD38-5.12.00-7	START PLATE	1
47	GP0000002930	YD36.02.01-2	COIL-SPRING GLAND	1
48	GP0000002931	YD36.02.01-4	START COIL-SPRING	1
49	GP0000002932	YD41-5.12.02-2	START HANDLE COVER	1
50	GP0000002933	YD41-5.12.02-1	START HANDLE	1
51	GP0000002934	YD41-5.12.01-00	START HANDLE ASSEMBLY	1
51a	GP0000002935	YD41-5.12.01-1	STARTER COVER	1
51b	GP0000002936	YD41-5.12.01-2	BRAND BOARD	1
52	GP0000002901	GB/T845	TAPPING SCREW ST5×19	1
53	GP0000002901	GB/T845	TAPPING SCREW ST5×25	5
54	GP0000002939	YD45.00.00-2	LEFT DUST COVER	1
55	GP0000002940	YD38-3.06.02-00	CUSHION SOCKET 1	1
56	GP0000002941	GB/T2672	SCREW M4×14	5
57	GP0000002942	YD38-3.06.03-00	CUSHION SOCKET 2	1
58	GP0000002943	YD38-3.00.00-8	RIGHT DUST COVER	1
59	GP0000002944	YD38-3.00.00-4	FRONT HANDLE SPRING	1
60	GP0000002945	YD38-3.00.00-1	FRONT HANDLE	1
61	GP0000002946	YD38-3.00.00-13	TORSION ROD SPRING COVER PLATE	1
62	GP0000002947	YD45.03.04-00	BALANCER BODY ASSEMBLY	1
63	GP0000002948	YD38-3.03.00-3	BALANCER ROOT	1
64	GP0000002901	GB/T845	TAPPING SCREW ST4×14	1
65	GP0000002950	YD38-3.03.00-5	VENT TUBE	1
67	GP0000002951	YD38-3.03.00-18	SCAVENGE TUBE	1
68A	GP0000002952	YD38-3.03.00-1A	FUEL TUBE 2.5×5×195	1
69A	GP0000002953	YD38-3.03.00-2A	TUBE ROOT	1
70	GP0000002954	YD25.00.00-25	CIRCLIP FOR FUEL TUBE	1
71	GP0000002955	YD38-3.03.04-00c	FUEL FILTER ASSEMBLY	1
72	GP0000002956	YD38-6.03.01-00	BASE	1
73	GP0000002957	YD38-3.00.00-5	BASE SPRING	1
74	GP0000002958	TCS3800.03.02-00	FUEL TANK-CAP ASSY	1
75	GP0000002959	YD38-3.03.02-2	ANTI-DROP PLATE	2
76	GP0000002960	JB/T7757.2	PACKING WASHER 24.7×3.55	1
77	GP0000002961	TCS3800.03.02-1	PETROL COVER	1
78	GP0000002962	TCS3800.03.03-00	CAP OIL TANK	1
79	GP0000002960	JB/T7757.2	PACKING WASHER 20×3.1	1
80	GP0000002964	TCS3800.03.03-1	OIL COVER	1
81	GP0000002894	GB/T119.2	PIN 5×25	1
82	GP0000002966	YD38-3.03.00-9	TRIGGER CONTROL RACK	1
83	GP0000002967	YD45.03.00-12	TRIGGER TORSION ROD SPRING	1
84	GP0000002968	YD38-3.03.00-7	TRIGGER	1
85	GP0000002969	YD38-5.00.00-6a	THROTTLE ROD	1
86	GP0000002970	YD41-5.03.01-00	HANDLE COVER WITH RUBBER-KSO GREY	1
87	GP0000002971	YD38-3.03.00-16	CIRCLIP FOR NOZZLE	1
88	GP0000002972	YD38-3.01.11.03-00	EARTH CABLE	1
89	GP0000002973	YD38-3.01.11.04-00	EXTINCTION SWITCH-RED RAL 3020	1
90A	GP0000002974	YD38-3.03.05-00	PRIMER PUMP	1

91A	GP0000002975	YD38-3.03.00-17	PUMP TUBE 2.5×5×170	1
92	GP0000002976	YD38-3.01.06.00-00A	CARBURETOR	1
93	GP0000002977	YD38-3.01.00.02-00	AIR INTAKE SOCKET	1
94	GP0000002978	YD38-3.01.00.03-00	CARBURETOR SCREW	2
95	GP0000002979	YD38-5.06.00-00	ENGINE BASE ASSEMBLY-KSO BLACK	1
95a	GP0000002980	YD38-5.06.01-00	CASE-KSO BLACK	1
95b	GP0000002981	YD38-3.06.01-2A	ENGINE BASE HEAT ISOLATION PLATE	1
95c	GP0000002982	YD38-3.06.01-3A	ENGINE BASE SIDE HEAT ISOLATION PLATE	1
96	GP0000002983	YD38-3.08.00-00	ACCESSORY ASSY	1
97	GP0000002984	YD38-3.07.00-1	CHAIN COVER	1
98	GP0000002985	YD38-3.07.02-00	SAW CHAIN	1
99	GP0000002986	YD38-3.07.01-00	GUIDE BAR	1
100	GP0000002987	YD45.08.01-00	SPARK SLEEVE	1
101	GP0000002988	YD38-3.08.00-1	FILE	1
102	GP0000002989	YD41-5.08.03-00	MANUAL	1
ENGINE COMPONENTS				
1	GP0000002990	YD41.01.00-1	CYLINDER BODY	1
2	GP0000002890	GB/T6185.1	NUT M5	2
3	GP0000002992	GB/T93	WASHER 5	11
4	GP0000002993	GB/T97.1	WASHER 5	10
5	GP0000002941	GB/T2672	SCREW M5×14	1
6	GP0000002995	YD38-3.01.09.00-1	SILENCER COVER PLATE	1
7	GP0000002996	YD38-3.01.09.00-00	SILENCER BODY	1
8	GP0000002997	YD38-3.01.00-6	SILENCER SEALING GASKET	1
9	GP0000002998	YD38-3.01.00-10	MUFFLER CONNECTING SCREW	2
10	GP0000002999	GB/T6191	SCREW M5×20	4
11	GP0000003000	YD38-3.01.11.05-00	SPARK PLUG NHSP LD L8RTF	1
12	GP0000003001	YD38-3.01.00-7	AIR INTAKE TUBE SEALING GASKET	1
13	GP0000003002	YD38-3.01.00-3	AIR INTAKE TUBE	1
14	GP0000003003	YD38-3.01.00-8	CARBURETOR SEALING GASKET	1
15	GP0000003004	YD38-3.01.00-5	CYLINDER SEALING GASKET	1
16	GP0000003005	YD41.01.03.00-2	PISTON RING	1
17	GP0000003006	YD41.01.03.00-3	PISTON PIN	1
18	GP0000003007	YD38-3.01.03.00-4	PISTON PIN CIRCLIP	2
19	GP0000003008	YD41.01.03.04-00	PISTON	1
20	GP0000003009	YD38-3.01.03.00-5	NEEDLE BEARING RING	2
21	GP0000003010	YD38-3.01.03.02-00	NEEDLE BEARING 10×14×11	1
22	GP0000003011	YD38-3.01.03.01-00	CRANK SHAFT COMPONENTS	1
23	GP0000003012	GB/T1099	SEMICIRCULAR KEY 3×3.5×10	1
24	GP0000003013	YD38-3.01.01.00-1	LEFT CRANK CASE	1
25	GP0000003014	GB/T276	BEARING 6201 GRADE D 12×32×10	2
26	GP0000003015	YD38-3.01.01.00-3	CASE BODY SEALING GASKET	1
27	GP0000002894	GB/T119.2	PIN 3×9	3
28	GP0000003017	YD38-3.01.01.00-2	RIGHT CRANK CASE	1
29	GP0000003018	GB/T893.1	SHIELD RING 32	1
30	GP0000003019	YD38-3.01.01.01-00	OIL SEAL 12×32×5.5	1
31	GP0000002999	GB/T6191	SCREW M5X30	4
32	GP0000003021	GB/T900	DOUBLE-SCREW BOLT AYM8-M8×26-8.8	2
33	GP0000003022	YD45.01.00-21	SPIKED BUMPER	1

34	GP0000002941	GB/T2672	SCREW M5×12	1
35	GP0000003024	YD38-3.01.00-15	CHAIN CATCHER	1
36	GP0000003025	YD38-3.01.00-16	CHAIN CATCHER SCREW	1
37	GP0000003026	YD38-3.01.00-4	DAMPER	1
38	GP0000002941	GB/T2672	SCREW M4×10	1
39	GP0000003028	YD38-3.01.01.02-00	OIL SEAL 12×22×7	1
40	GP0000003029	YD38-3.01.11.01-00	IGNITER	1
41	GP0000002941	GB/T2672	SCREW M4×14	6
42	GP0000002992	GB/T93	WASHER4	2
43	GP0000003032	YD38-3.01.11.02-00	EXTINCTION CONDUCTOR	1
44	GP0000003033	GB/T6177.2	NUT M8×1	1
45	GP0000003034	YD38-3.01.10.00-00	FLYWHEEL ASSEMBLY	1
46	GP0000003035	YD38-3.01.13.00-00	CLUTCH ASSEMBLY	1
47	GP0000003036	YD38-3.01.13.01-1	RETAINTER	1
48	GP0000003037	YD38-3.01.13.01-3	CLUTCH EXTENSION SPRING	1
49	GP0000003038	YD38-3.01.13.01-2	SHOE BLOCK	1
50	GP0000003039	YD38-3.01.13.00-2	CLUTCH ADJUSTING WASHER	1
51	GP0000003040	YD38-3.01.13.00-1	CLUTCH SHELL	1
52	GP0000003041	YD38-3.01.00.01-6	NEEDLE BEARING 10×13×13	1
53	GP0000003042	YD38-3.01.00-11	WORM	1
54	GP0000003043	YD38-3.00.00-12	COVER PLATE	1
55	GP0000003044	YD38-3.01.15.00-00	OIL PUMP	1
56	GP0000003045	YD38-3.01.00-13	OIL OUTGOING TUBE 3×6.5×75	1
57	GP0000003046	YD38-3.01.00-12	WORM WASHER 10×18×1	1
58	GP0000003047	YD38-3.00.00-2	OIL INGOING TUBE3×6.5×68	1
59	GP0000003048	YD38-3.00.00-17	OIL TUBE CLIP	2
60	GP0000003049	YD38-3.00.00-3	OIL TUBE TIE-IN	1
61	GP0000003050	YD38-3.03.00-11	NOZZLE	1
62	GP0000003051	YD38-3.03.00-12	OIL FILTER SCREEN	1
63	GP0000003052	YD38-3.01.00-14	OIL SPRAY NOZZLE	1